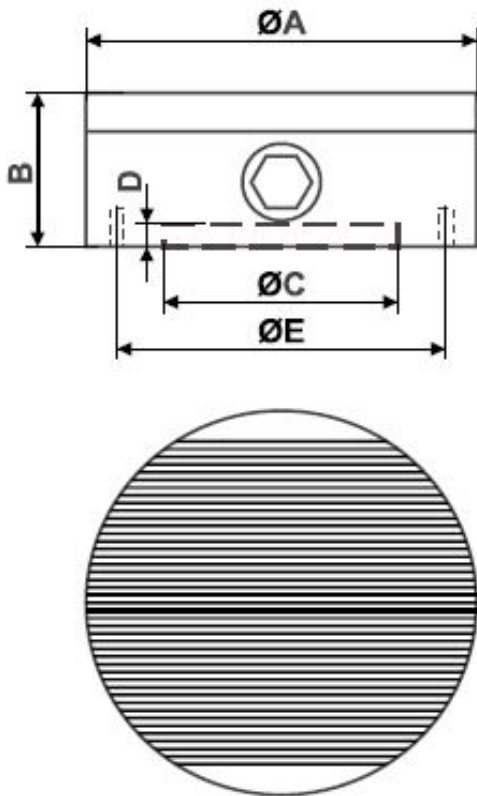


MAGNETIC CIRCULAR CHUCKS



The circular magnetic clamping plates are used for grinding thin and small parts.
For specific requests it is possible to send a drawing with all the dimensions and features.

CODE	Diam (A)	B	Diam (C)	D	Diam (E)
PMCI.ND0000.10062	100	62	70	2,5	91
PMCI.ND0000.13062	130	62	90	2,5	120
PMCI.ND0000.16075	160	75	125	3	142
PMCI.ND0000.20080	200	80	150	4,5	182
PMCI.ND0000.25080	250	80	200	4,5	232
PMCI.ND0000.30085	300	85	250	4,5	285

All the measures are in millimeters.