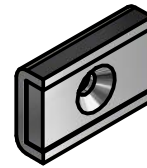
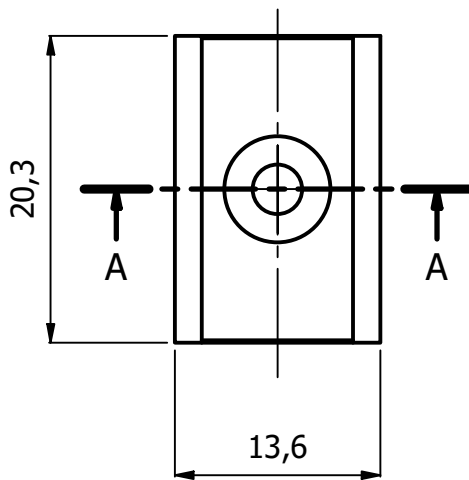
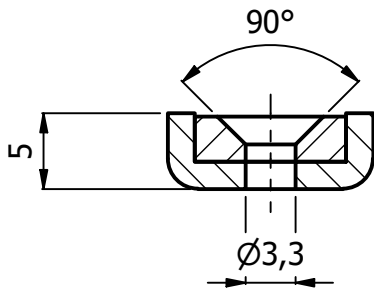



A-A (2 : 1)



All measures are in millimeters (mm)

Author M.D.	Date 05/09/2022	Type	Surface Treatment Nickel coated	Material	Measures tolerance: +/- 0.1 mm
 Via F. Comelli 39 33034 Fagagna UD - Tel. 0432 801675			Description Countersink hole magnet inside an iron plate		
			Code SM80.35NI00.2013.55M31	Scale 2 : 1	Format A4