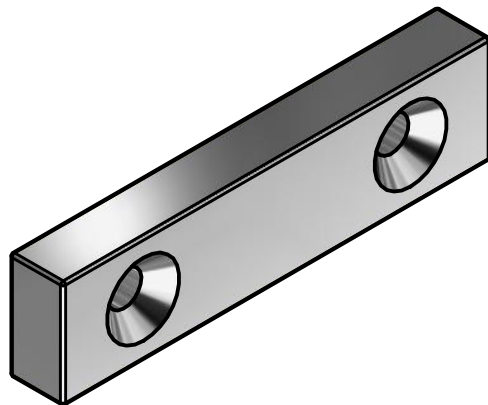
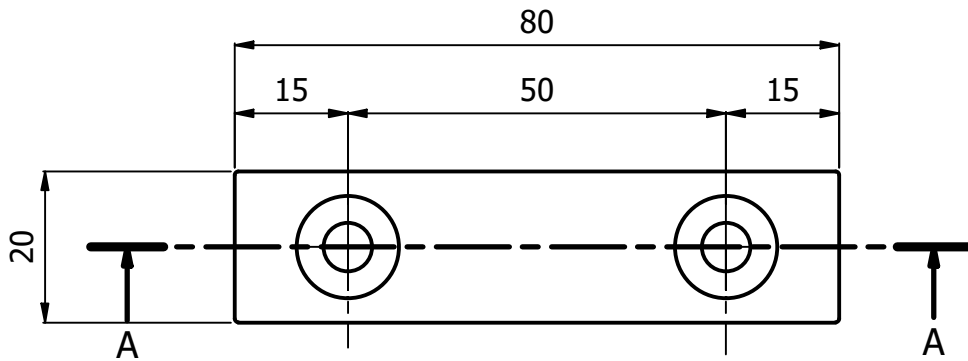
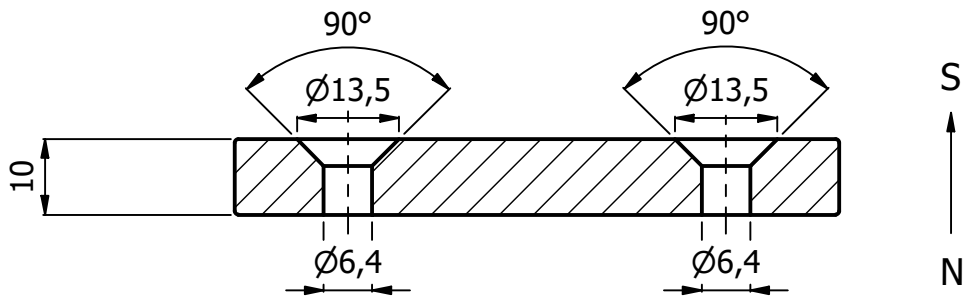



A-A (1:1)



All measures are in millimeters (mm)

Author M.D.	Date 20/06/2019	Type	Surface Treatment Nickel coated	Material Neodymium	Measures tolerance: +/- 0.1 mm
			Description 2 countersink holes magnet - axially magnetized (S pole)		
			Code NQ03.35NI00.8020106	Scale 1 : 1	Format A4
Via F. Comelli 39 33034 Fagagna UD - Tel. 0432 801675					