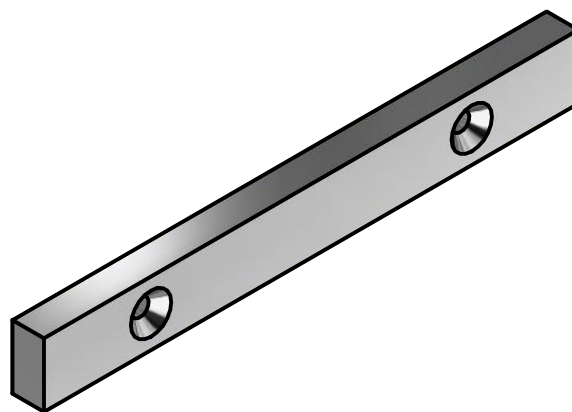
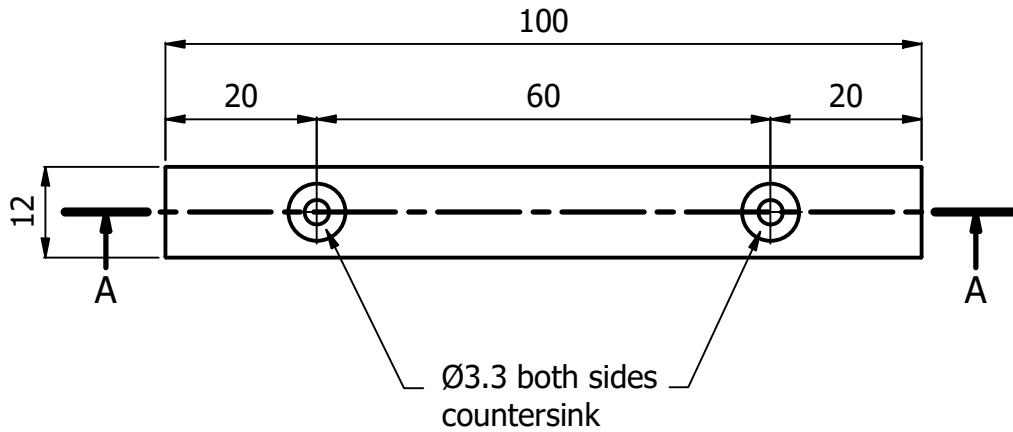
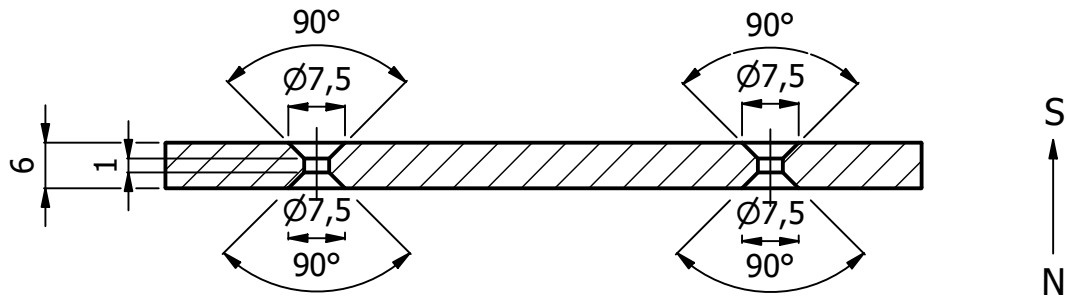


A-A (1:1)



All measures are in millimeters (mm)

Author M.D.	Date 26/09/2019	Type	Surface Treatment Nickel coated	Material Neodymium	Measures tolerance: +/- 0.05 mm
----------------	--------------------	------	------------------------------------	-----------------------	---------------------------------

ITALFIT magneti

Description
2 both sides countersink holes magnet

Code
NQ03.35NI00.100123

Scale
1 : 1

Format
A4