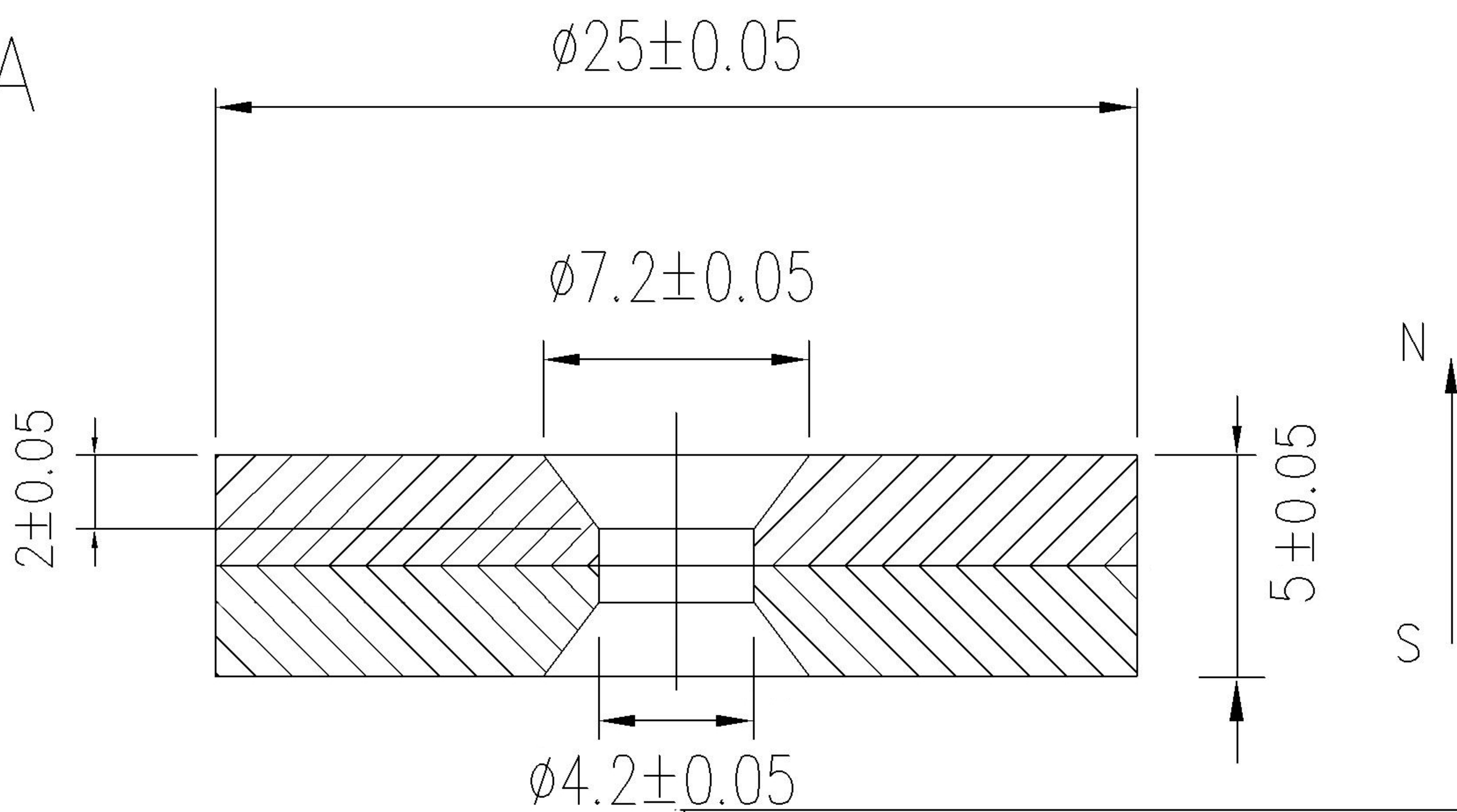


A-A



ITALFIT MAGNETI SRL

NdFeB

N35

D25\*5(D7.2/4.2)

1:1

NICUNI

DS01.25542